

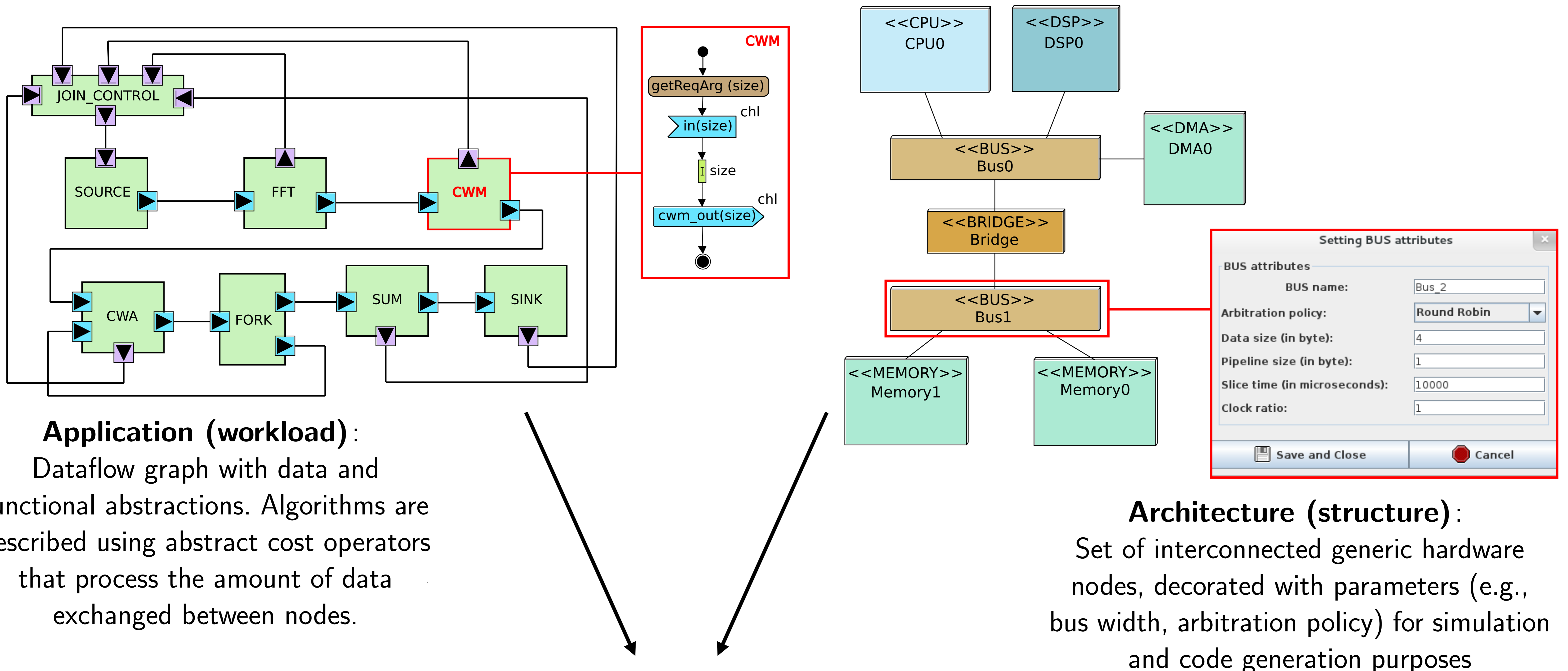


TTool/DiplodocusDF: a UML Environment for Hardware/Software Co-Design of Data-Dominated Systems

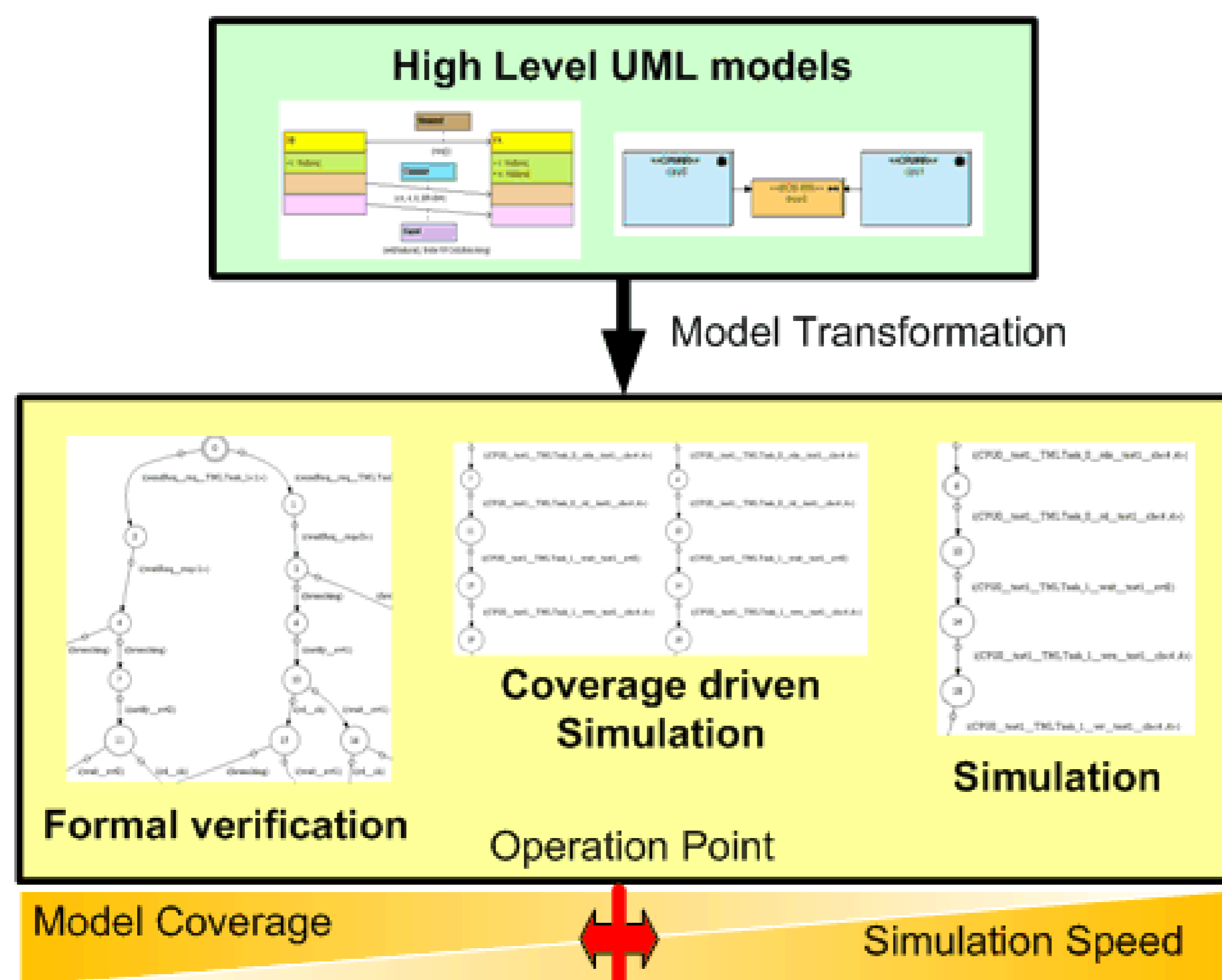
Andrea ENRICI, Ludovic APVRILLE, Renaud PACALET

Institut Mines-Telecom, Telecom ParisTech, CNRS/LTCI - Sophia Antipolis, France

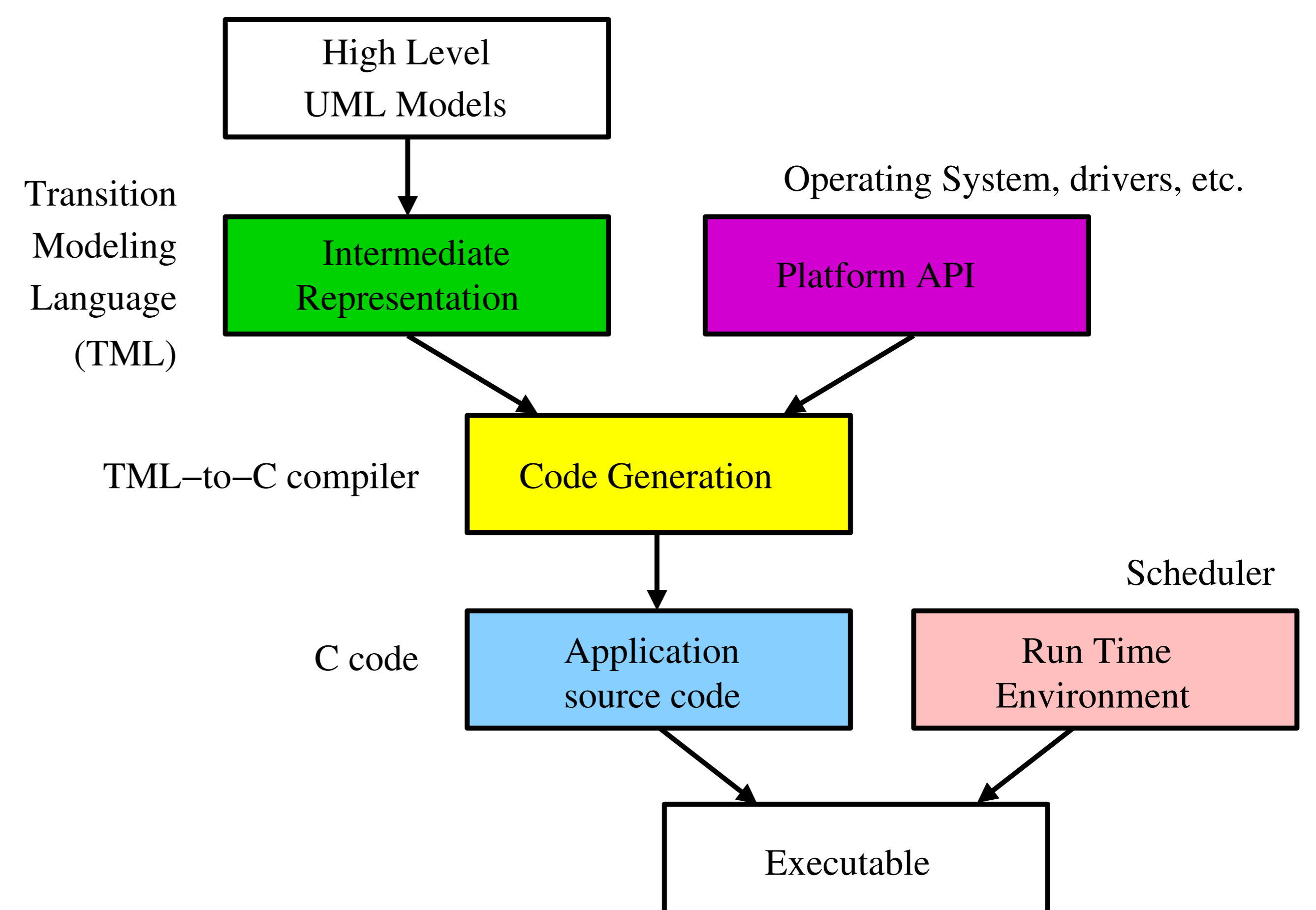
System Level Modeling : Application, Architecture, Mapping



Design Space Exploration: Simulation and Formal Verification at the push of a button



Automatic Generation of Executable Code from High Level Models



- **Model-checking** of system properties (e.g., safety, schedulability, performance)
- **Interactive simulation** with graphical interface and debug facilities (e.g., breakpoints, simulation traces)

- An **executable implementation** of the application is **automatically generated**: only memory allocation and data-blocks addresses must be manually encoded.